



# HOLMAN

## Auto Rewind Hose Reel 15m / 25m / Models



## Instruction Manual

Installation, Care & Troubleshooting

1215H – Product Dimensions(mm): W:415 H:365 L:195  
1225H – Product Dimensions(mm): W:455 H:400 L:255

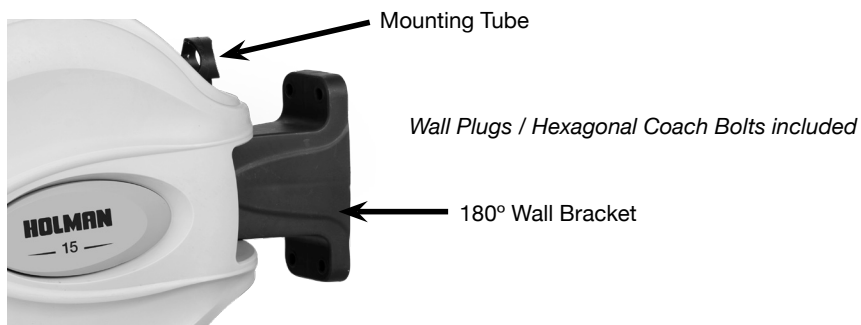


# Introduction

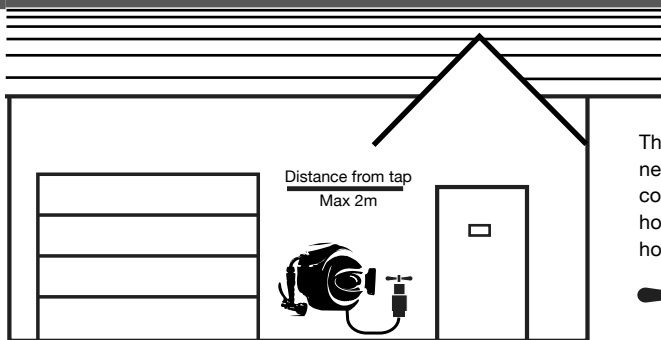
Thank you for purchasing this HOLMAN Auto Rewind Hose Reel. This product uses a 12mm reinforced hose for added strength and durability, and includes a multi function hose gun.  
*(Hose Gun styling is subject to change)*

For your information, please read these installation instructions before using the Auto Rewind Hose Reel. Please keep all instructions and refer to them when necessary.

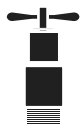
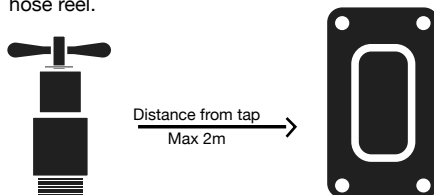
## Glossary



# Auto Rewind Hose Reel - Instruction Manual



The Auto Rewind Hose Reel should be installed nearest to your chosen water source for convenience of use. Check that the tap to reel hose can reach the tap prior to mounting the hose reel.



Take the mounting bracket and place against either a wall or wooden post.

Mark the position of where you would like the screws to be placed through the centre of the bracket holes to prepare for drilling.





Please note that if you are attaching your hose reel to a wooden post, you will not require the wall plugs as the coach bolts screw directly into wood.

Take the wall plugs (supplied with the hose reel) and measure the correct drill bit width to use. It is recommended that you drill slightly undersize as masonry materials all have different properties and this will ensure the wall plugs have a secure fit.

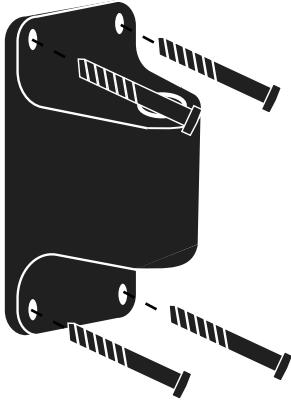
It is very important to use the correct size drill bit, so a very secure fit of the wall bracket is made before installing the Auto Rewind Hose Reel.

When ready, drill all four holes, then hammer the wall plugs gently into your wall (if attaching to a wall).

**IMPORTANT - DO NOT LEAVE TAP ON. TURN TAP OFF AFTER USE.**

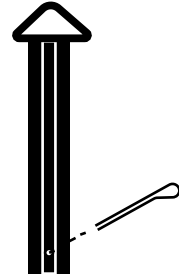
		1215H 15m	1225H 25m
PLUG		Ø11.7mm	Ø11.7mm
MASONRY DRILL		Ø10.0mm	Ø10.0mm
WOOD DRILL		Ø7.0mm	Ø7.0mm
BOLT		Ø8.0mm	Ø8.0mm

# Auto Rewind Hose Reel - Instruction Manual

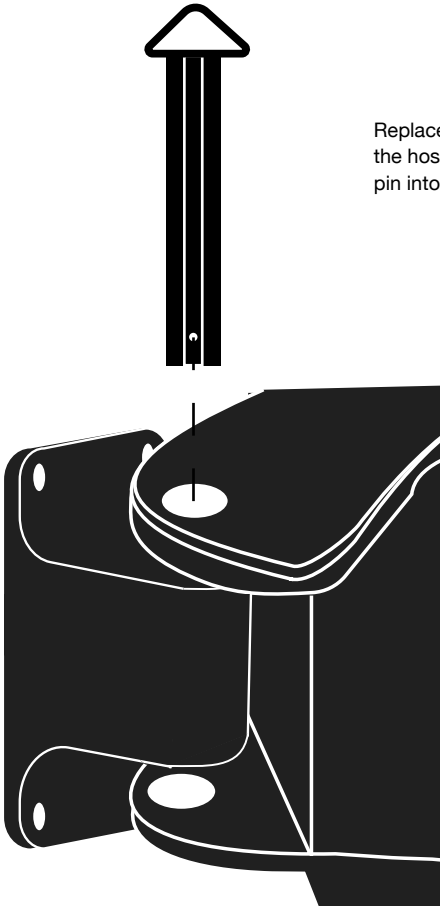


Place the bracket in position over the four wall plugs and screw each hexagonal coach bolt into your wall or wooden post. Screw in each bolt until all four have a secure hold on the bracket against the surface.

Take your Auto Rewind Hose Reel, and remove the securing pin at the base of the mounting tube. Remove the mounting tube from the hose reel and slot the hose reel around the wall bracket, so the fitting tube hole lines up with the wall bracket hole.

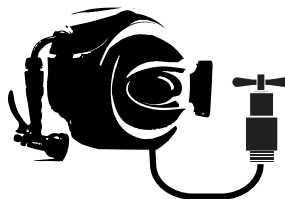


Replace the mounting tube into its hole to hold the hose reel in place. Replace the securing pin into the base of the mounting tube.



Connect the tap to reel hose, to the garden tap.

Distance from tap  
Max 2m



# Care & Troubleshooting



You will find an indication sticker 1 metre before the maximum length.  
Do not pull the hose past this point

Before walking the hose back to the unit, turn off the tap and press the lever on the watering gun to release the water pressure in the hose. This makes the retraction to the hose reel a lot easier and prolongs the life of your hose reel.

## Fully Extended Hose Not Retracting

If the hose retraction wheel is stuck and the hose is fully extended, the wheel still has movement past this point. Grip the hose close to the guide hole and gently pull

The retraction wheel will give you enough movement to unlock itself before you slowly allow the auto retraction wheel to wind the hose back into the unit.

## Warnings

- Do not leave the water turned on with the hose under pressure when not in use.
- Always turn the water off and draw the water from the hose after use.
- Do not attempt to pull hose reel apart.

# Spare Parts

Plastic wall bracket



Tap to reel hose



Mounting Tube



Hose stopper



For spare parts, visit [www.holmanindustries.com.au](http://www.holmanindustries.com.au)

**Do not** dismantle the hose reel for additional spare parts. Other internal metal parts can cause injury if tampered with. These parts are not available for replacement.

# Warranty



## 2 Year Replacement Guarantee

Holman offers a 2 year replacement guarantee with this product.

In Australia our goods come with guarantees that cannot be excluded under the Australian Consumer Law. You are entitled to a replacement or refund for a major failure and compensation for any other reasonably foreseeable loss or damage. You are also entitled to have the goods repaired or replaced if the goods fail to be of acceptable quality and the failure does not amount to a major failure.

As well as your statutory rights referred to above and any other rights and remedies you have under any other laws relating to your Holman product, we also provide you with a Holman guarantee.

Holman guarantees this product against defects caused by faulty workmanship and materials for 2 years domestic use from the date of purchase. During this guarantee period Holman will replace any defective product. Packaging and instructions may not be replaced unless faulty.

**In the event of a product being replaced during the guarantee period, the guarantee on the replacement product will expire 2 years from the purchase date of the original product, not 2 years from the date of replacement.**

To the extent permitted by law, this Holman Replacement Guarantee excludes liability for consequential loss or any other loss or damage caused to property of persons arising from any cause whatsoever. It also excludes defects caused by the product not being used in accordance with instructions, accidental damage, misuse, or being tampered with by unauthorised persons, excludes normal wear and tear and does not cover the cost of claiming under the warranty or transporting the goods to and from the place of purchase.

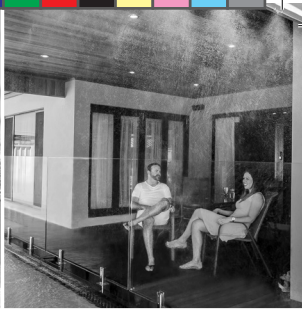
Should you suspect your product may be defective and need some clarification or advice please contact us directly:

1300 716 188  
services@holmanindustries.com.au  
11 Walters Drive, Osborne Park 6017 WA

**If you are certain your product is defective and is covered by the terms of this warranty, you will need to present your defective product and your purchase receipt as proof of purchase to the place you purchased it from, where the retailer will replace the product for you on our behalf.**



For additional support, visit [www.holmanindustries.com.au](http://www.holmanindustries.com.au)



Thanks for being a  
#SMARTGARDENER



**We really appreciate having you as a customer,  
and would like to say thank you for choosing us.**

We recommend registering your new product on our website. This will ensure we have a copy of your purchase and activate an extended warranty. Keep up to date to with relevant product information and special offers available through our newsletter.



[www.holmanindustries.com.au/product-registration/](http://www.holmanindustries.com.au/product-registration/)

# HOLMAN

For the #SMARTGARDENER   