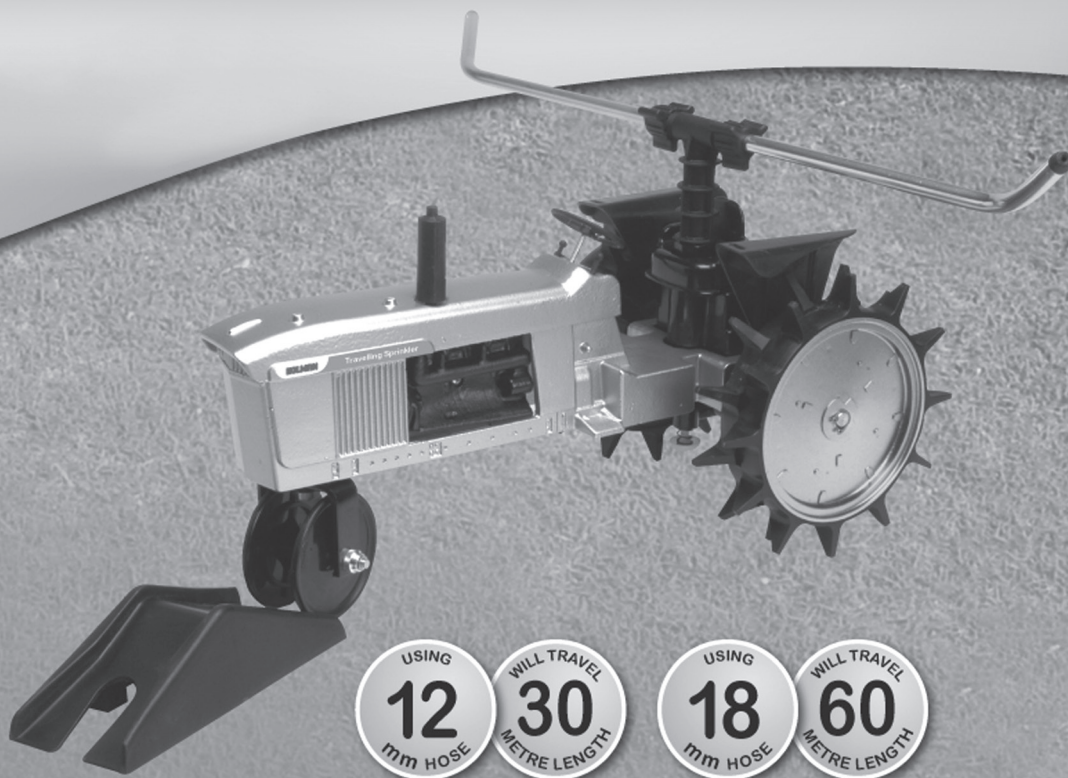


HOLMAN

Travelling Sprinkler

Solid Metal



Instruction Manual

Travelling Sprinkler - Solid Metal
Product Code: 7700H

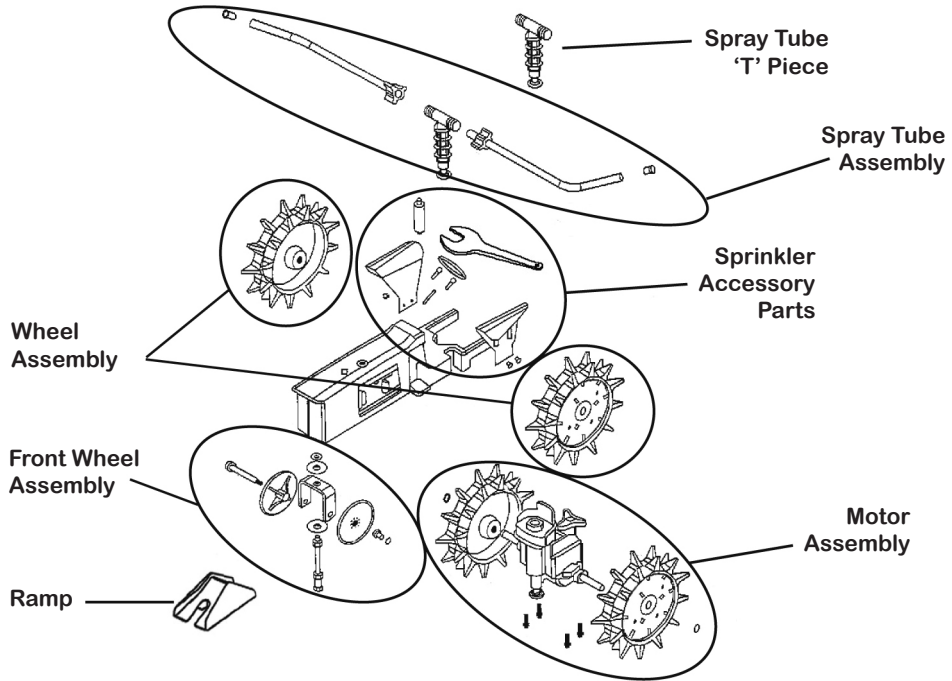


Table of Contents & Glossary

Table of Contents

Glossary.....	1
Installation Instructions.....	2
Pointing the Arms in the Right Direction.....	3
Travelling Sprinkler Specifications.....	4
Setting Up the Hose Track & Sprinkler Operation.....	5
Sprinkler Operation & Maintenance.....	6
Warranty.....	Back Cover

Travelling Sprinkler Glossary



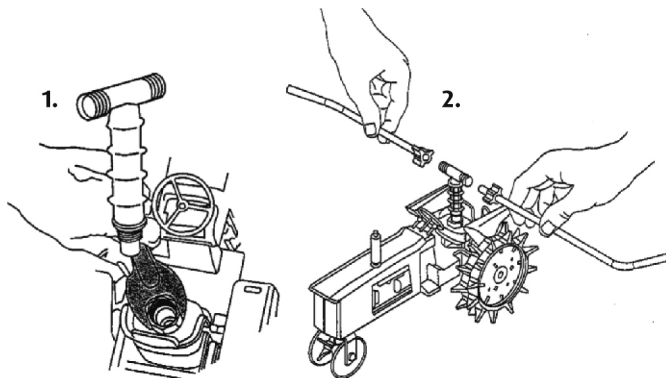
Installation Instructions

Important Information

Thank you for purchasing this HOLMAN Travelling Sprinkler. Please read through all instructions before attempting to install the sprinkler to ensure it is properly assembled before operation. Failure to do so could void the warranty on this product.

Connecting the Spray Arms

1. Use the wrench provided to securely hold the connector nut located in the seat, while threading the arm assembly centre post onto the sprinkler.
2. Insert spray arms into the centre post as far as they will go. Tighten the connector nuts until they feel secure when twisted.

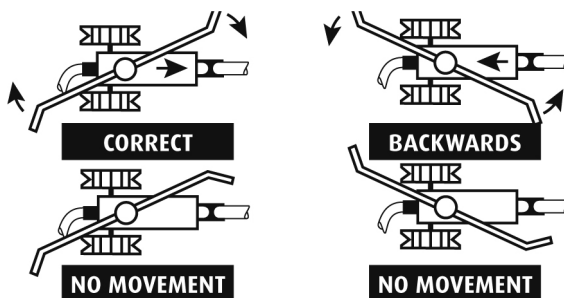


NOTE: TO PREVENT DAMAGE DO NOT LIFT OR CARRY THE SPRINKLER BY THE SPRAY ARMS

Pointing the Arms in the Right Direction

Arm Direction

It is important that the arms are positioned correctly, otherwise, the sprinkler will not move properly or may not move at all.



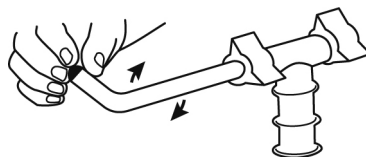
NOTE: THE ARMS MUST ROTATE CLOCKWISE TO GO FORWARD

Adjusting the Angle of the Tips

Adjust the angle of the tips to control the distance.

Maximum Coverage: Turn the tips upwards and out to approximately a 30° angle.

Minimum Coverage: Turn the tops slightly downward and in (be sure the arms clear the body of the sprinkler).



12mm Diameter Hose						
Spray Coverage (width)	4.5 Metres		9 Metres		14 Metres	
Millimetres of Water	16	23	8	17	5.5	12
Speed	High	Low	High	Low	High	Low
Chart calculated using 12mm hose of up to 30m length, with an average pressure of 275kPa. Dependent on sprinkler set up, flow rate ranges from 14Lpm to 20Lpm (average is 17Lpm).						

18mm Diameter Hose						
Spray Coverage (width)	4.5 Metres		9 Metres		14 Metres	
Millimetres of Water	17	25	9	19	6	13
Speed	High	Low	High	Low	High	Low
Chart calculated using 18mm hose of up to 60m length, with an average pressure of 275kPa. Dependent on sprinkler set up, flow rate ranges from 15Lpm to 23Lpm (average is 18.5Lpm).						

Travelling Sprinkler Specifications

12mm Diameter Hose	Maximum Hose Length (m)	Average Travel speed (m/hr)		Approximate Water Application (mm/hr)	
		High Gear	Low Gear	High Gear	Low Gear
	30	10	5	5.5	12

Values quoted may vary depending on hose length, spray coverage & water pressure.

12mm Diameter Hose	Maximum Hose Length (m)	Coverage (calculated with hose length at 60m)			
		Maximum width (m)	Maximum area m ²	Effective width (m)	Effective area m ²
	30	16	480	14	420

Values quoted may vary depending on hose length, spray coverage & water pressure.

18mm Diameter Hose	Maximum Hose Length (m)	Average Travel speed (m/hr)		Approximate Water Application (mm/hr)	
		High Gear	Low Gear	High Gear	Low Gear
	60	11	6	6	13

Values quoted may vary depending on hose length, spray coverage & water pressure.

18mm Diameter Hose	Maximum Hose Length (m)	Coverage (calculated with hose length at 60m)			
		Maximum width (m)	Maximum area m ²	Effective width (m)	Effective area m ²
	60	17	1020	14	840

Values quoted may vary depending on hose length, spray coverage & water pressure.

NOTES:

- Coverage can be affected by several things: water pressure, hose diameter, hose length and hose weight.
- Travelling Sprinklers are made for established lawns. For delicate, newly-seeded yards another type of sprinkler should be used.

Setting Up the Hose Track & Sprinkler Operation

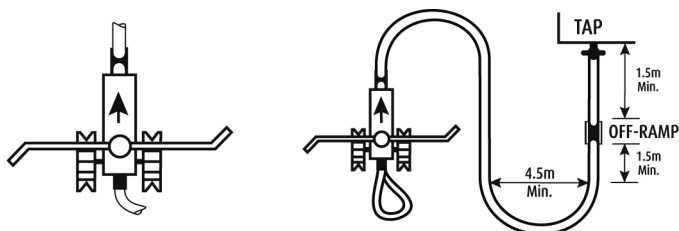
Setting Up the Hose Track

The front wheel of the Travelling Sprinkler is designed to be placed over the hose and then track the same path as the hose.

On some surfaces the wheel may be prone to jumping off the hose. Users should keep an eye on this when first operating the sprinkler. If the surface is unsuitable, causing the wheel not to stay on the path of the hose, it may be necessary to use an 18mm Hose.

Up to 60 metres of hose can be used to lay out a path through the yard. To create 180° turns, a minimum radius of 4.5m is required.

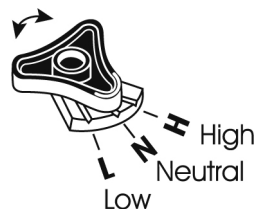
Place the shut off ramp on the hose to stop the sprinkler. There should be 1.5m of straight hose on either side of the ramp. Be sure to anchor the ramp with a ground spike.



Speed Control

Depending on the speed selected, the sprinkler can travel from 6 to 11m per hour. Low speed will apply more water, with high speed preferred for light watering.

To water a specific area only and keep the sprinkler stationary, set the control on neutral.



Sprinkler Operation & Maintenance

Sprinkler Operation

The small front wheels should straddle the hose track. The stopper (on the underside of the sprinkler near the large wheels) should be pulled out for watering. Turn on the water and the sprinkler should start moving. If it should stop, turn the water off and be sure the stopper is pulled out. Then, slowly turn the water on again.

the sprinkler will stop at the shut-off ramp as travelling up the ramp will push the stopper closed. To move to another area, turn off the water and release some water pressure. Pick up the sprinkler and move it to a new location. Layout a new path and place the sprinkler on the hose, pull the stopper out before turning on the water again.



Sprinkler Gears

Protect the water motor gears from damage by never operating the sprinkler on driveways or footpaths.

DO NOT push or pull the sprinkler when it is operating.

DO NOT let the sprinkler get stuck in wet areas or low ground that would keep the turning wheels from moving the sprinkler forward, as this can damage the internal gears.

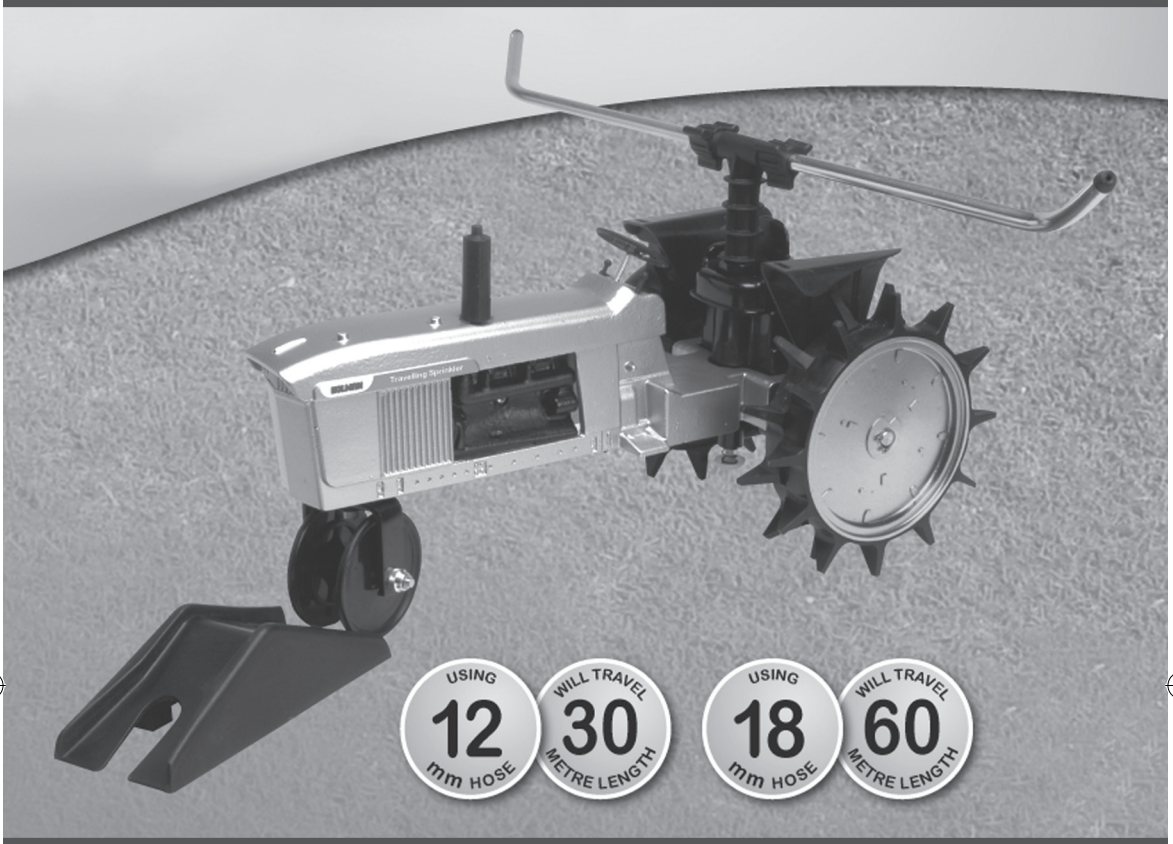
DO NOT manually stop the rotation of the arm - turn off the water supply first.

Sprinkler Maintenance

Things that will help the sprinkler work in the most effective way are:

1. Clean the inlet filter washer regularly by removing and rinsing it.
2. Drain the sprinkler after use, especially in cold weather. Freezing will damage the sprinkler if water is left inside. This includes opening the stopper.

Warranty



Should you have any questions about this product or its operation please telephone our customer service helpline on 1300 716 188.

HOLMAN offer a 1 year replacement warranty from the original date of purchase. HOLMAN offer no guarantee or compensation for subsequent damage or waste of water. It is the responsibility of the user to check that the product is always operating satisfactorily.

To claim warranty the product **MUST** be returned with a copy of the original receipt.

We will honour all statutory guarantees that this product is of acceptable quality (including that it is fit for purpose). Product images may change without notice.



HOLMAN INDUSTRIES

47 Walters Drive,
Osborne Park,
Western Australia 6017.

Tel: 61 8 9204 1011 Fax: 61 8 9204 1013

Web: www.holmanindustries.com.au