



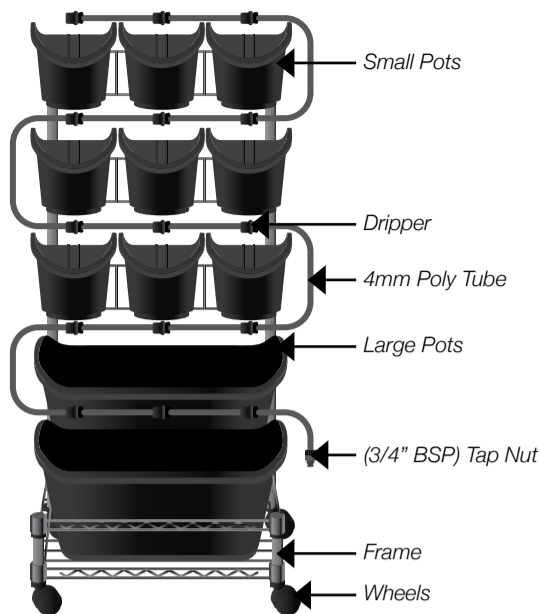
Thank you for purchasing a Holman Mobile GreenWall.

Please keep your receipt as proof of purchase to validate the 1 year product warranty.

Please read this instruction manual prior to use.

GLOSSARY

CONTENT LIST



- 4x Long Back Poles
- 2x Short Front Poles
- 4x Wheels
- 12x Clips
- 9x Small Pots
- 9x Small Pot Mats
- 2x Large Pots
- 2x Large Pot Mats
- 12x Inline Drippers
- 1x End Dropper
- 1x 10 metre, 4mm Poly Tube

1. LOCATION

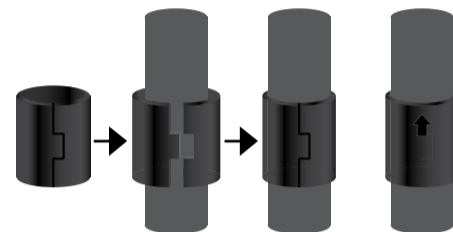
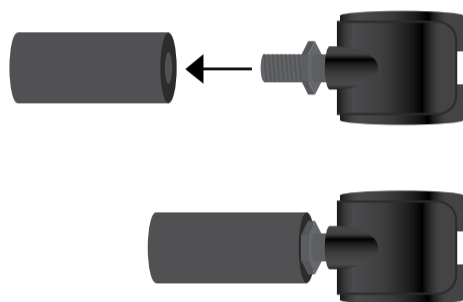
2. WHEELS

3. FRAME CLIPS

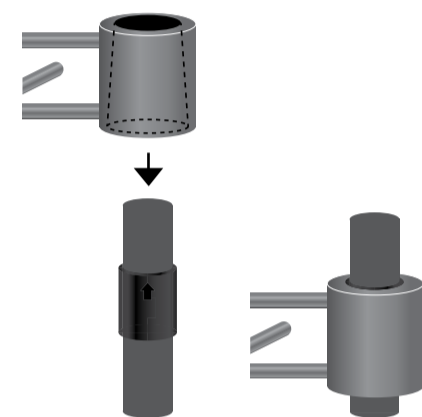
4. WIRE FRAMES

The benefit of the Mobile GreenWall is that it can be easily moved around accordingly to the amount of sunlight the different types of plants require. This has a big bearing on what will grow successfully. Also think about where your water source will be and how easily you can run a hose from that tap.

Screw the wheels into the end of the long back and short front poles.



Use the clips to attach the wire frames onto the poles. Clip them onto the pole and lock them into position (grooves). Make sure that the arrows are pointing upwards.

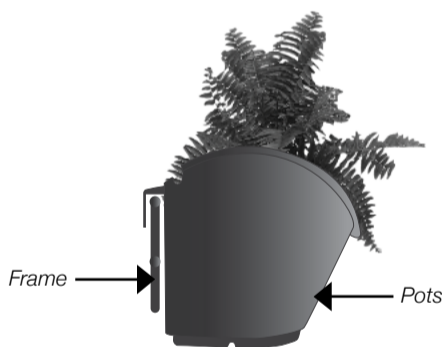


Slide the wire frames onto the clips. The attachments have a slight v-shape. The wider part has to point downwards.

Attach the pot holder onto the long back poles using the clips. You can decide the margin between bars by using different grooves.

5. HANGING THE POTS

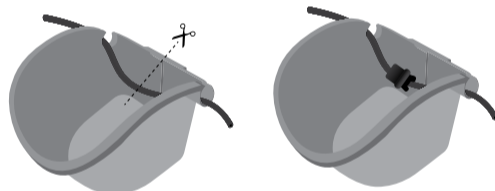
6. IRRIGATION SETUP



TIP: Plant the pots before installing.

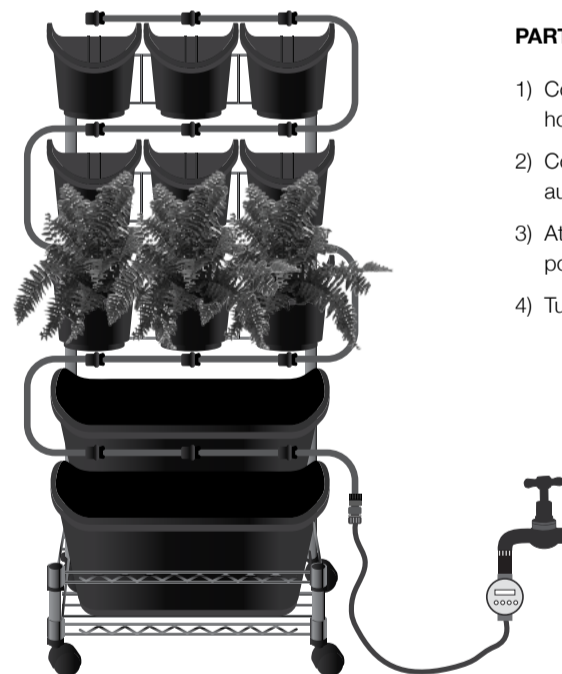
Once the pots are planted they are ready to be hung onto the panel.

Each pot has a flat hook at the rear. This can be hooked along the frame as shown.



PART 1: Once all the pots are connected to the frame you are ready to install the irrigation.

- 1) Run the poly tube through the groove at the back of the pots.
- 2) Leave some slack when running the tube around the pots.
- 3) Cut the poly tube and insert an inline dripper. To continue the chain, attach the remaining poly tube to the other end of the inline dripper (ensure you are placing the dripper above each pot).
- 4) In the last pot, finish the poly tube with the end dripper.



PART 2:

- 1) Connect a garden hose or poly pipe to the hose adapter.
- 2) Connect a Holman Tap Timer to your tap for automatic watering.
- 3) Attach the other end of the garden hose or poly pipe to the Tap Timer.
- 4) Turn on the water and test the drippers.

TAP TIMER

TROUBLE SHOOTING

WARRANTY

We suggest installing a Holman Tap Timer to automatically and accurately water your GreenWall. Schedule the tap timer to meet your required watering, this will then ensure your plants remain hydrated and healthy and encourage the best result for the growth of your GreenWall.

HINT: Watering for short intervals 3 or 4 times a day is recommended for the best result.

Drippers are not working properly

If some drippers are not working well, you can unscrew or slightly loosen the cap of the dripper. Remember to connect the pressure reducer and filter to the outlet of the tap. It is very important to keep the water supplied to the drippers clean from dirt and grit.

HOLMAN Mobile GreenWall

Product Code: GW0005

We will honour all statutory guarantees that this product is of acceptable quality. (Including that it is fit for purpose)

HOLMAN INDUSTRIES
11 Walters Drive,
Osborne Park, WA 6017
Ph: 1300 716 188
www.holmanindustries.com.au

For tips and tricks on watering and plant selection visit our website.

<https://www.holmanindustries.com.au/products/greenwall-vertical-planting/>

