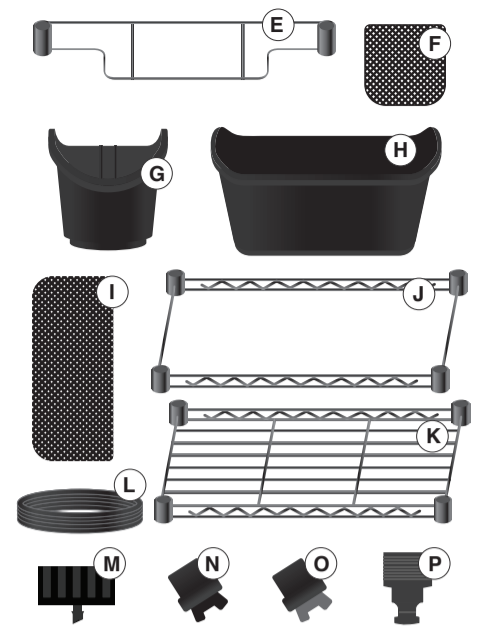
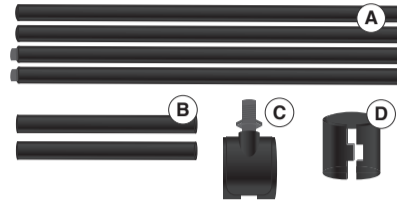




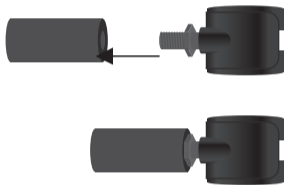
CONTENT LIST

- A. 4x 470mm LONG BACK POLES
- B. 2x 80mm SHORT FRONT POLES
- C. 4x WHEELS
- D. 12x CLIPS
- E. 4x POT HOLDERS
- F. 9x SMALL POT MATS
- G. 9x SMALL POTS
- H. 2x LARGE POTS
- I. 2x LARGE POT MATS
- J. 1x WIRE FRAME
- K. 1x WIRE FRAME WITH GRATE
- L. 1x 10m x 4mm POLY TUBE
- M. 1x 4mm DRIP FAUCET
- N. 12x INLINE DRIPPERS
- O. 1x END DRIPPER
- P. 1x 3/4" BSP HOSE ADAPTOR



WHEELS

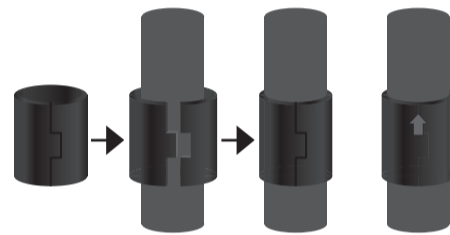
1. Locate the four base poles you will need. There are two short poles (80mm) for the front of the GreenWall and two long poles (470mm) for the back. These poles will have a screw hole on the bottom to place the wheels. Screw all four wheels into the base of the poles and tighten with the spanner provided.



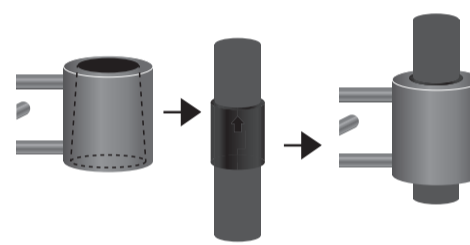
- i** Screw the wheels with the locking switch onto the long poles (the back of the GreenWall) for easier access later.

FRAME CLIPS & WIRE FRAME

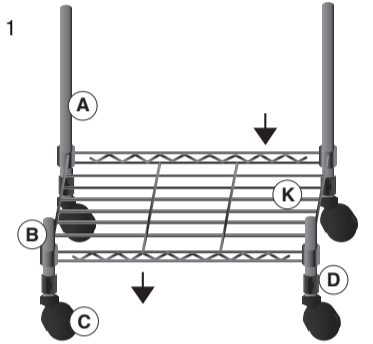
1. Attach one black frame clip to the bottom of each pole, making sure the arrow is pointing upwards on both sides of the clip
2. Lock the clips into position by sliding the clip into the groove located on the end of the poles
3. Remove the plastic rings off the wire frame (with the grate) and slide over all four of the clips until secure (refer image 1)
4. Ensure that the two longer poles are opposite each other on the long side of the wire frame



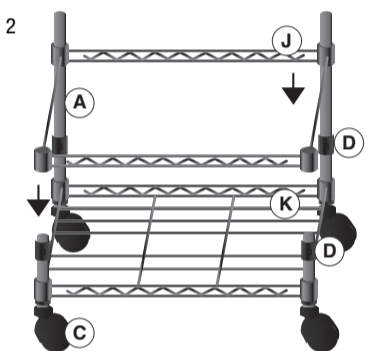
5. Place additional clips on the top of each the short poles, making sure the arrows are facing upwards
  6. Place clips onto the grooves of the each of the long poles so they are all level with the clips on the smaller poles (refer image 2)
  7. Place the second wire frame over the clips, ensuring the tapered end is facing the top
- i** Both wire frames have tapered corners slots, make sure the tapered end (the smaller end) is facing upwards.



**i** Image 1



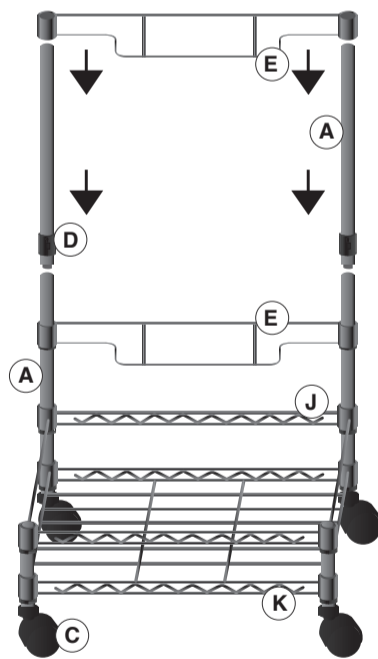
**i** Image 2



FRAME

1. Screw the two remaining long poles with the metal thread onto the top of the long poles, now holding the wire racks. This will make the back of your GreenWall
  2. Place additional clips onto the long poles for the pot holders, making sure the arrows on each clip are pointing upwards
- i** You can decide the margin between each pot holder using different grooves. Place one pot holder over the clips before you add another set of clips. Continue this method and work your way up.
3. Slide the pot holders over the clips, making sure the tapered end is facing upwards and secure to the frame (refer image 3)

**i** Image 3



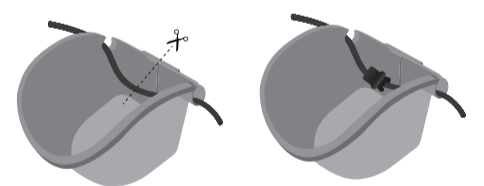
HANGING POTS

- i** Place pot mats inside and plant the pots before clipping them onto the frame.
1. Each pot has a flat hook on the back. This is hooked onto the pot holders to secure the pots onto the frame
  2. Place one of the large pots with your plants on the bottom wire frame and another large pot above that, onto the first pot holder. Place the small pots along the three remaining pot holders with your plants. There are three small pots to one pot holder



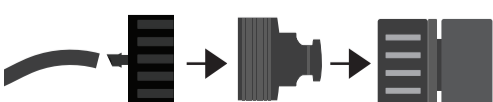
IRRIGATION SETUP

1. Starting from the bottom, run the poly tube through the groove at the back of the pots, working your way to the top
- i** Leave some slack when running the tube around the pots.
2. At the middle of each pot, cut the poly tube and insert an inline dripper. To continue the chain, attach the remaining poly tube to the other end of the inline dripper (ensure you are placing the dripper above each pot)
  3. In the last pot, finish the poly tube with the end dripper



IRRIGATION SETUP CONT.

4. For the large pots, cut the poly tube 1/3 and 2/3 of the way down. Insert the inline drippers between each piece of poly tube. Each large pot should now have two drippers
5. At the start of the poly tube, connect the drip faucet. This can be attached to the hose adaptor, or directly onto a tap
6. For automatic watering, connect a Holman Tap Timer to your tap and attach the other end of the garden hose or drip faucet to the Tap Timer
7. Turn on the water and test the drippers



Scan below to watch Mobile GreenWall installation guides available on our YouTube Channel!

MOBILE GREENWALL SET-UP GUIDE



MOBILE GREENWALL INSTALLATION GUIDE

We recommend registering your new product to ensure we have a copy of your purchase, and to activate an extended warranty. Keep up to date with relevant product information and special offers available through our newsletter.

www.holmanindustries.com.au/product-registration/

We really appreciate having you as a customer, and would like to say thank you for choosing us. Should you have any questions about this product or its operation please call customer service on 1300 716 188

**HOLMAN**

For the #SMARTGARDENER

Head Office/Service

11 Walters Drive, Osborne Park WA 6017

Tel: +61 8 9416 9999 Fax: +61 8 9416 9920

support@holmanindustries.com.au

www.holmanindustries.com.au

Copyright © 2020 Holman Industries